

WPD-F

Protection Sieve
DN 40 ... DN 200



Special Features

- Small head loss
- Sieve elements for use with all WP-Dynamic-bodies
- Identical sieve elements for DN 40...65 and DN 80 + 100
- Stainless steel sieve element
- Sieve element easy to remove for cleaning
- Powder coated body for maximum corrosion protection

Application

- The protection sieve will be installed to protect the water meter from damage
- The heavy duty sieve element retains any large particles
- Cleaning of pipes after maintenance or rupture in the pipe
- Max. working pressure 16 bar
- Max. water temperature 50 °C

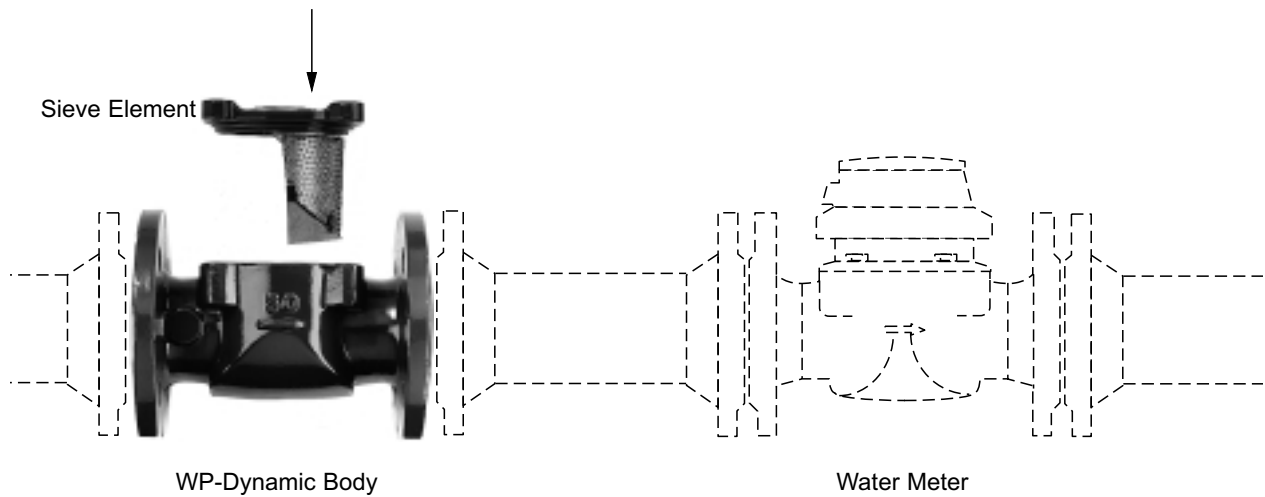
UK & Ireland Enquiries
Sensus Metering Systems
11 The Quadrangle, Abbey Park,
Romsey, Hampshire SO51 9DL UK
T: +44 (0) 1794 526100
F: +44 (0) 1794 526101
Email: info.gb@sensus.com

www.sensus.com

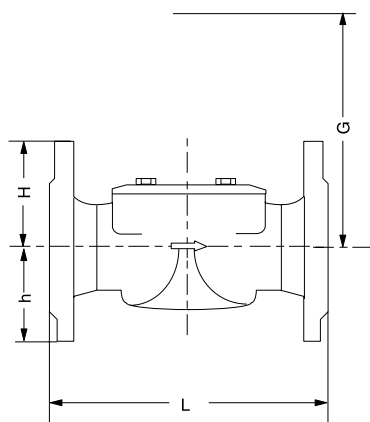
International Enquiries
Sensus Metering Systems GmbH Ludwigshafen
Industriestrasse 16,
67063 Ludwigshafen Germany
T: +49 (0) 621-6904-0
F: +49 (0) 621-6904-1409
Email: info.int@sensus.com

www.sensus.com





Dimension Picture



Dimensions and Weights

| DN | L (mm) | h (mm) | Sieve elem. | H (mm) | G (mm) | Weight (kg) |
|-----|--------|--------|---------------------|--------|--------|-------------|
| 40 | 220 | 69 | RV 3-4 DIN 24041 | 75 | 140 | 7.1 |
| 50 | 200 | 73 | | 85 | 140 | 7.7 |
| 65 | 200 | 85 | | 95 | 140 | 9.4 |
| 80 | 225 | 95 | | 100 | 200 | 12.9 |
| 100 | 250 | 105 | | 110 | 200 | 15.9 |
| 125 | 250 | 125 | | 125 | 220 | 19.5 |
| 150 | 300 | 135 | | 145 | 285 | 34.0 |
| 200 | 350 | 162 | | 170 | 370 | 50.0 |

Materials

| | |
|----------------|-----------------|
| Body: | Cast iron |
| Cover flange: | Cast iron |
| Sieve element: | Stainless steel |
| Bolts: | Stainless steel |

Order Text

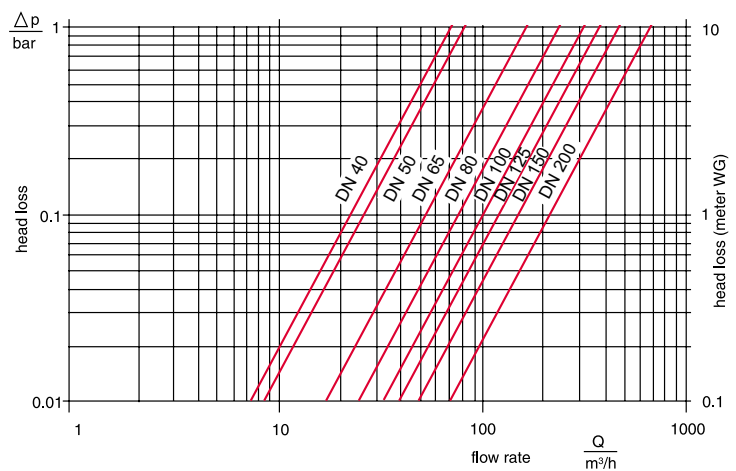
Protection sieve complete:

| | |
|-------------------|----------------|
| Specification: | Sieve complete |
| Nominal Diameter: | DN |

Sieve element:

| | |
|-----------------------|---------------|
| Specification: | Sieve element |
| for Nominal Diameter: | DN |

Typical Head Loss Curve *)



*) with clean sieve element

WPD-F